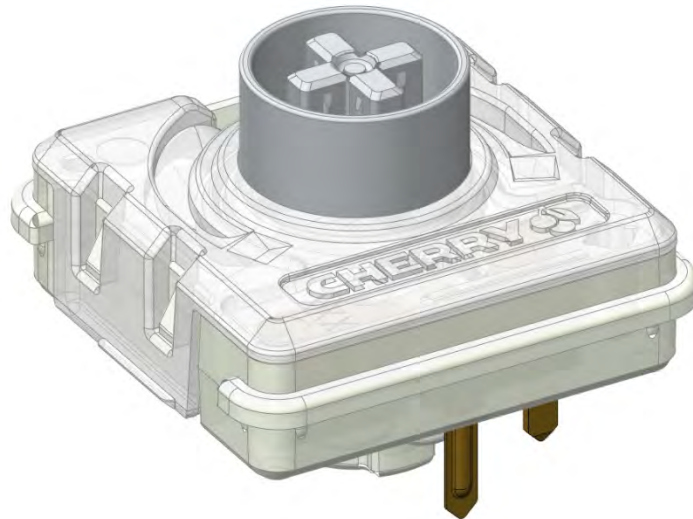


# CHERRY MX LOW PROFILE RGB SPEED

MX1B-52NA



## High-precision CHERRY MX switch engineered for low profile gaming keyboards

### Key benefits:

- Engineered and Made in Germany
- CHERRY MX LOW PROFILE RGB SPEED switch: Without pressure point, linear light actuation switching function with a defined force of approx. 45cN without contact feedback
- Designed for use with SMD LEDs (RGB or single colour)
- More consistent lighting throughout the keycap due to optimized switch design
- Option to use all 16.8 million RGB colours in high luminosity (scope of supply does not include LED)
- SMD LEDs directly mounted on the circuit board for cost-efficient, fully automated production
- High-precision mechanical switch with low operating point tolerance.
- World exclusive CHERRY Gold Crosspoint technology
- Short bounce time for high switching frequency (such as for fast typing)
- Self-cleaning contacts
- Switch resistant to dust and dirt
- Over 50 million keystrokes with no loss of quality guaranteed

### Technical Data:

- |                              |   |
|------------------------------|---|
| • Protection class:          | IP40  |
| • Operation characteristics: | LOW PROFILE, linear   |
| • Switching voltage:         | 12V AC/DC max.  |
| • Dielectric strength:       | 500V / 50Hz   |
| • Durability:                | > 50 million actuations   |
| • Contact configuration:     | Single-pole contact   |
| • Actuator travel:           | 3.2 ± 0.25 mm   |
| • Pretravel:                 | 1.0 ± 0.3 mm  |
| • Initial force:             | 30 cN min.  |
| • Actuation force:           | 45 ± 15 cN  |
| • Bounce time:               | typically 1ms   |
| • Minimum lead spacing:      | 16 mm   |
| • Lighting:                  | SMD LED, mounted directly on the circuit board  |
| • Insulation materials:      | Thermoplastics  |
| • Spring:                    | Stainless steel   |
| • Contacts:                  | High-quality gold alloy   |
| • Storage Temperature:       | 5°C to 40°C   |
| • Operating Temperature:     | -40°C to 70°C   |
| • Humidity:                  | Storage: average <50% max.<br>3 months / 75% max. 15 days,<br>operation: 5% to 95% without condensation |