

DK sub-sub-miniature switch



Technical specifications

Contact configuration	S.P.D.T.
Contact gap	< 3 mm
Switching voltage max.	12 VDC up to 60 V on request
Switched current	0,005 bis 2 ADC
Operating force max.	75 cN without auxiliary actuator
Total travel	ca. 2,0 mm
Mechanical life	min. 500.000 operations
Electrical life (max. load)	min. 100.000 operations
Ambient temperature	-40 to +85°C/105°C
Materials	
Base	PBT / PES
Cover	PBT + ASA
Actuator	POM (+85°)
Auxiliary actuator	Stainless steel
Sealing gasket	SI (VMQ)
Terminals	CuZn (silver-plated)
Leads	Cu, Isolation PVC
Contacts	AuAg (Crosspoint)
Degree of protection (switch interior)	IP65, IP67 on request

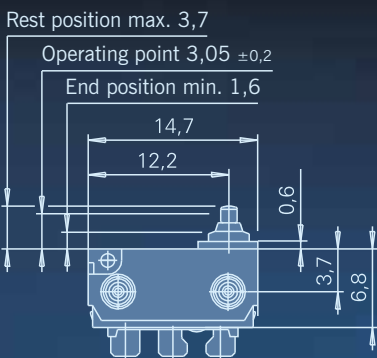
For detailed information and the layout of the details described above, please do not hesitate to ask for our technical specifications and drawing.

Features

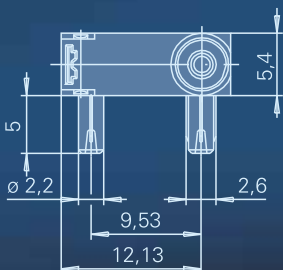
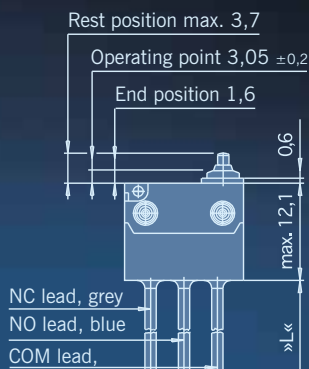
- Sealed switch up to protection IP65. IP67 on request
- Smallest dimensions
- Models available up to 105°C operating temperature
- Nominal currents 5 mA up to 2 A at 12 VDC
- Actuation vertically or with auxiliary actuator
- High contact stability thanks to AuAg crosspoint contacts
- Mechanical operating life min. 500.000 actuations
- Many connection possibilities, also available with leads



Dimensions in mm



For DK sub-miniature switch with leads (IP67-compliant)

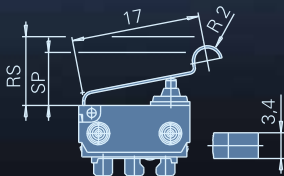


Auxiliary actuator options

straight

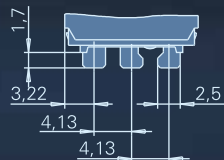


simulated roller

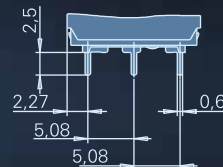


Terminals

Solder terminal
 2,5x0,5mm



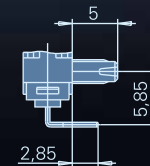
PCB terminal
 0,6x0,5mm



PCB terminal 0,6x0,5mm
 LH-side with location pins



PCB terminal 0,6x0,5mm
 RH-side with location pins



Side definition

