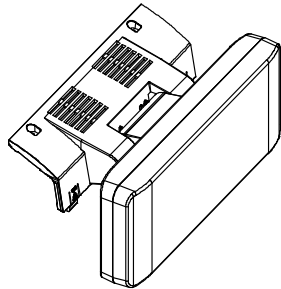


Installation of Rear CDP

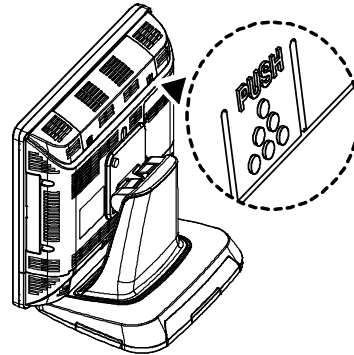
● Checking contents



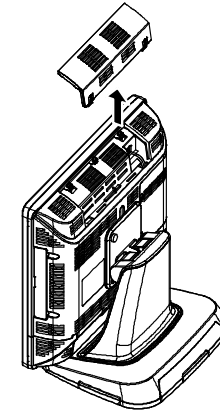
Screw(2EA)

Built-in POS CDP Main Body

● Removal of Rear Dummy Cover

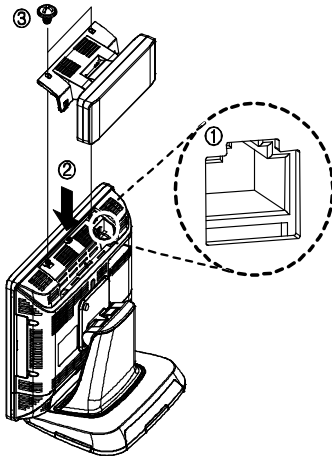


① Press "PUSH" area on the set.

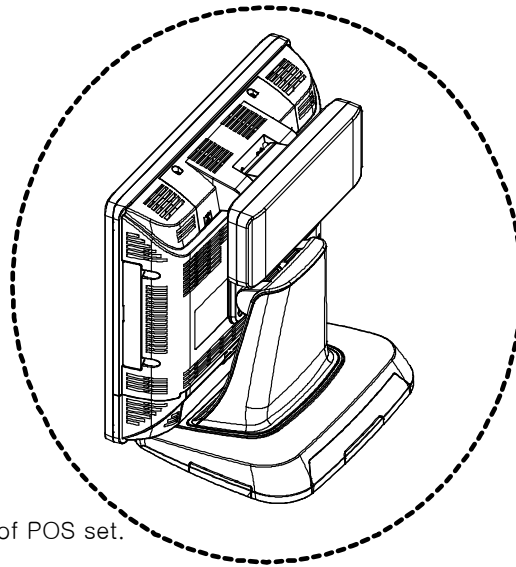


② Remove Rear Dummy Cover to the direction shown in figure.

● Installation of Built-in CDP



- ① Assemble the connector of CDP to the backside of POS set.
- ② Connect CDP, referring to the figure.
- ③ Tighten the enclosed screws (2EA).



● Checking Operation of CDP



CDP device testing driver can be downloaded from SAM4S homepage(<http://www.sam4s.com>) and the operation of CDP can be observed.